

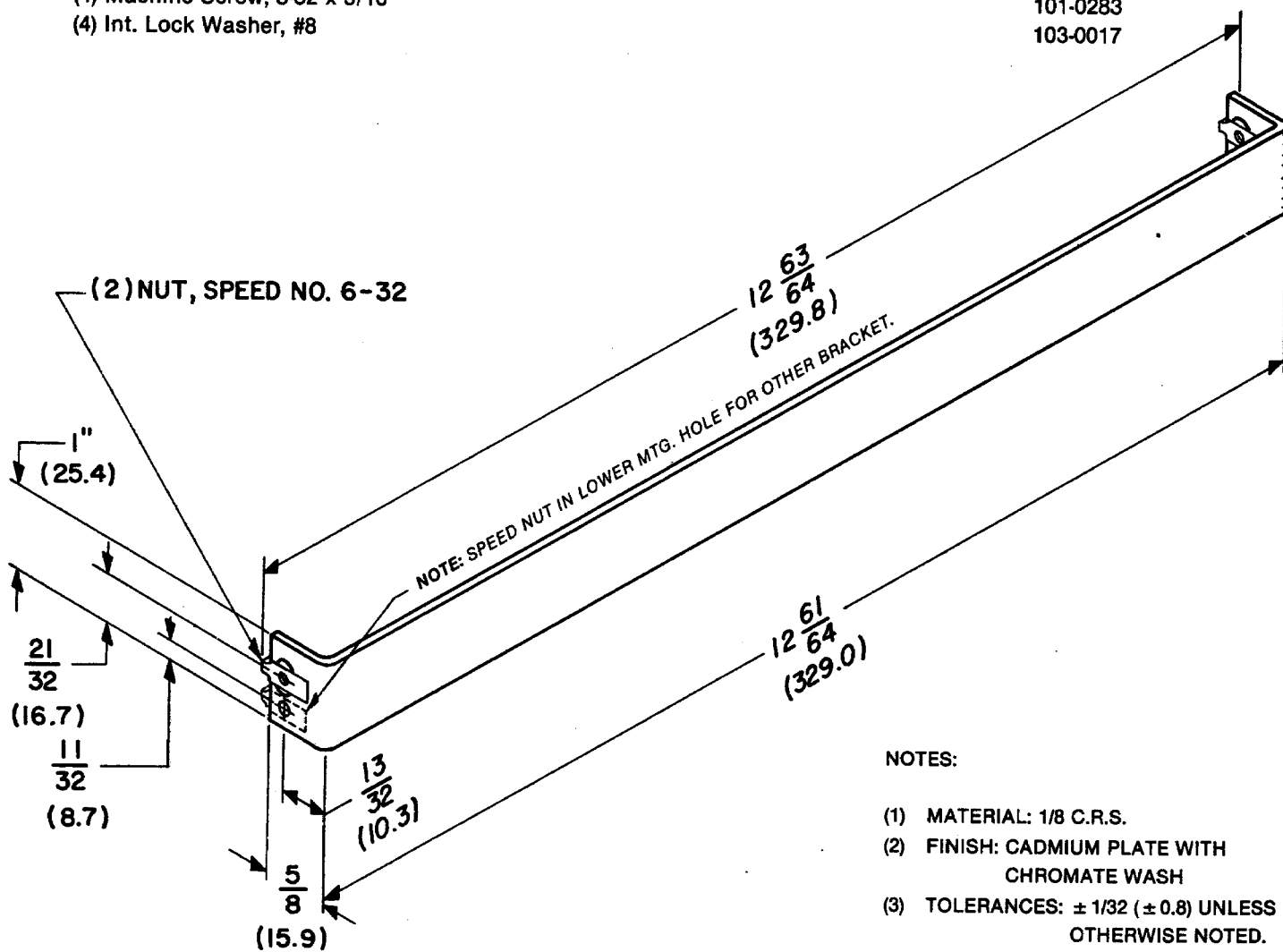
# KEPCO MODEL RAB 39-40RAX MOUNTING BRACKET

## DESCRIPTION

The Kepco Model RAB 39-40RAX consists of two brackets and mounting hardware. It is used as an installation aid to mount Kepco switching power supplies into Kepco Model RA-39 and RA-40 Rack Adapters. The Kepco Model RA-39 will accept the RAX 50W & 100W Series. The Kepco Model RA-40 will accept all RAX units, except 1500W Series. For installation instructions, refer to the applicable rack-adapter instruction manual. The mechanical outline of the Model RAB 39-40RAX is shown in FIG. 1

## PARTS LIST

	KEPCO P/N
(2) Bracket	128-1616
(4) Speed Nut (installed on brackets)	102-0097
<b>HARDWARE TO MOUNT RAB 39-40RAX TO RA-39 OR RA-40</b>	
(4) Machine Screw, 6-32 x 1/2	101-0343
(4) Flat Washer, #6	103-0028
(4) Int. Lock Washer, #6	103-0015
<b>HARDWARE TO MOUNT RAB 39-40RAX TO POWER SUPPLIES:</b>	
(4) Machine Screw, 8-32 x 5/16	101-0283
(4) Int. Lock Washer, #8	103-0017



## NOTES:

- (1) MATERIAL: 1/8 C.R.S.
- (2) FINISH: CADMIUM PLATE WITH CHROMATE WASH
- (3) TOLERANCES:  $\pm 1/32$  ( $\pm 0.8$ ) UNLESS OTHERWISE NOTED.
- (4) DIMENSIONS: IN PARENTHESIS ARE IN MILLIMETERS.

FIG. 1 KEPCO MODEL RAB 39-40RAX MOUNTING BRACKET,  
MECHANICAL OUTLINE DRAWING.